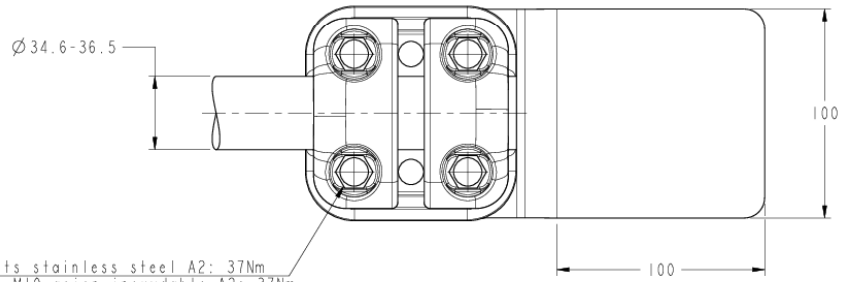
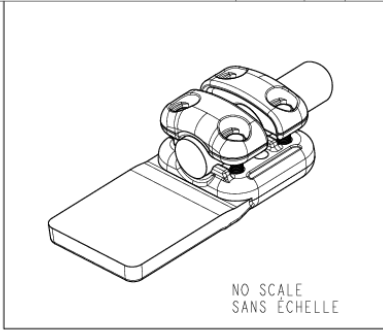
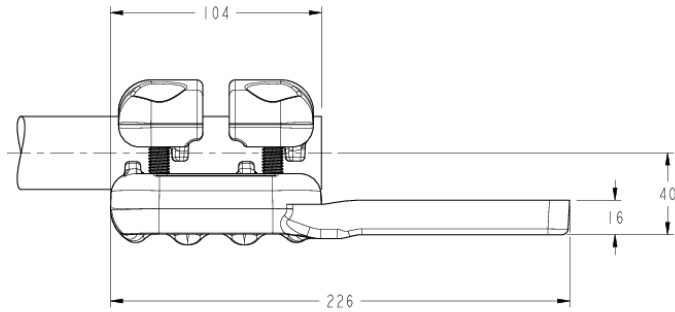


REVISIONS					
P	LTR	DESCRIPTION	DATE	DWN	APVD
A		CREATION	08MAY2023	RS	CG



M10 Bolts stainless steel A2: 37Nm
 Boulons M10 acier inoxydable A2: 37Nm

THIS DRAWING IS A CONTROLLED DOCUMENT.		DWN RAVI S	08MAY2023	STE TE Connectivity
		CHK M PREVOT	08MAY2023	
		APVD C GLOMMEAU	08MAY2023	NAME PAD CONNECTOR FOR SINGLE CONDUCTOR CONNECTEUR A PLAGE POUR FAISCEAU SIMPLE 5 PD 82 M365 100
		PRODUCT SPEC 108-69096-001	APPLICATION SPEC	
DIMENSIONS: mm		TOLERANCES UNLESS OTHERWISE SPECIFIED:		SIZE CAGE CODE DRAWING NO
		0 PLC ±-	1 PLC ±-	RESTRICTED TO
		2 PLC ±-	3 PLC ±-	
		4 PLC ±-	ANGLES ±-	
MATERIAL		FINISH		WEIGHT
				1.6 kg
				A 3 00779 C=2461296
		CUSTOMER DRAWING		SCALE 1:2 SHEET OF REV A